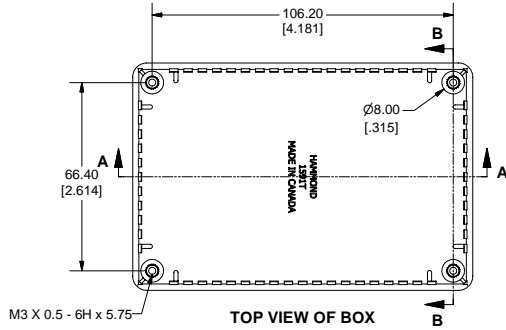
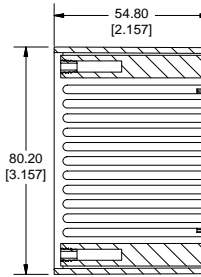


SIDE VIEW OF BOX

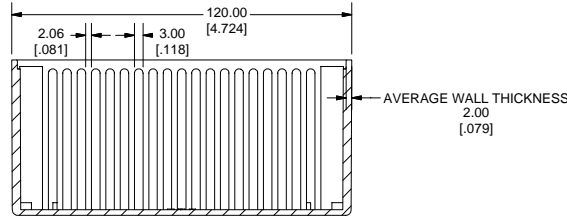


TOP VIEW OF BOX

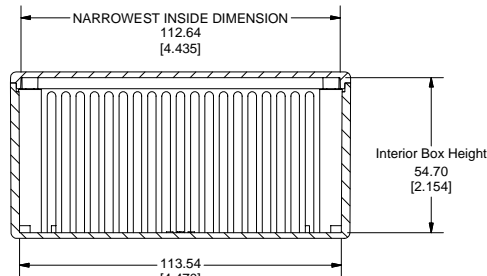
M3 X 0.5 - 6H x 5.75



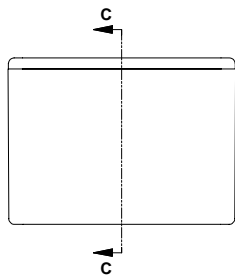
SECTION B-B



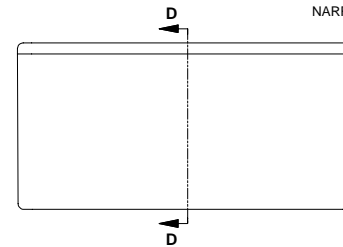
SECTION A-A



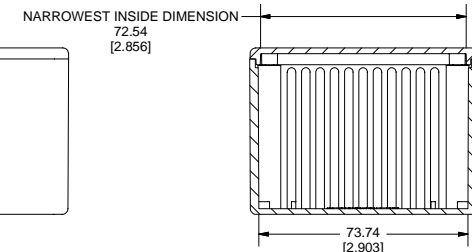
SECTION C-C



SIDE VIEW OF ASSEMBLY



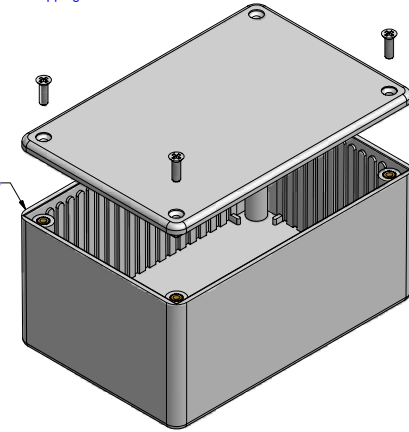
SIDE VIEW OF ASSEMBLY



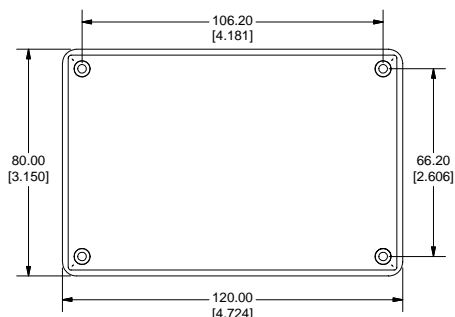
SECTION D-D

# 1591T Enclosure

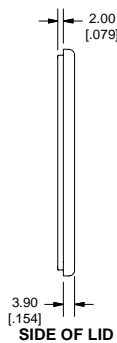
LID FASTENERS  
M3 x 10 mm Screws for FRABS/Polycarb  
#4 x 1/2" Self Tapping for GPABS



EXPLODED VIEW OF ASSEMBLY



BOTTOM OF LID



SIDE OF LID

**Note:**

Enclosures can be Factory Modified ( Milling, Drilling, Printing etc. )  
Solid models of this enclosure available in STEP or IGES Format.  
Contact Factory [mjm@hammondmfg.com](mailto:mjm@hammondmfg.com)



PART NUMBERS		
1591T Enclosures		
Material	Colour	Part Number
FR ABS UL94 - V0	Black	1591TBK
	Grey	1591TGY
	Black Shielded ( Conductive Paint )	1591RTBK
GP ABS	Black	1591TSBK
	Grey	1591TSGY
Translucent Polycarbonate	Ice Blue	1591TTBU
	IR Red	1591TTRD
	Crystal Clear	1591TTCL
Accessories		
	Description	Part Number
Universal Application	PC Board Card Adapters	See Accessories Section
	Flange Kits	See Accessories Section
	Clear Lids - clear, flame retardant polycarbonate - Lid ONLY	1591TC
FR ABS & Polycarbonate	Replacement Screws, Flat head Phillips, Nickel Plated Pkg of 100	1591MS100 1591MS100BK (Black)
GP ABS	Self Tapping Pkg of 100	1591TS100 1591TS100BK ( Black)
Required Torque on Fasteners (no lubrication)		
	M3 - 0.5 x 10mm Screws	30-40 cN*m
	#4 x 0.5 Screws	30-40 cN*m